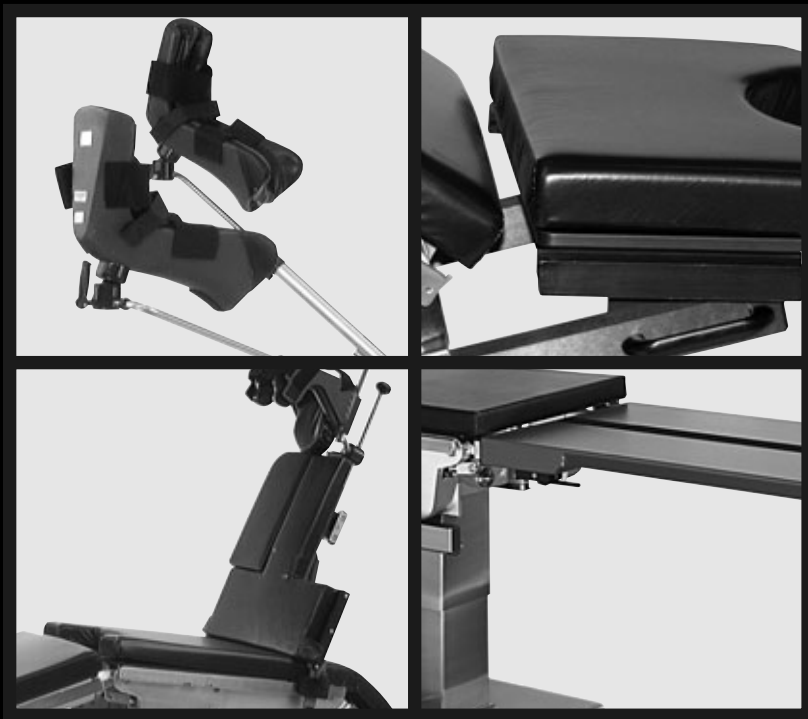


Skytron Surgical Table Accessories



*Full Line Table Accessories for
General Purpose and Specialty Procedures*



Table of Contents

Table Pads.....	Page 4
Arm Support Accessories and Pads.....	Page 5
• Standard Armboard and Pads.....	5
• Radiolucent Standard Armboard and Pads.....	5
• Single Carbon Fiber Armboard and Pad.....	5
• Arm Surgery Board (36”) and Pad.....	6
• Arm Surgery Board (36”) Side Rail Mount with Support Rod.....	6
• Raised Armboard.....	7
• Multi-Task Armboard and Pad.....	7
• OB Hand Grips.....	7
Body Support Accessories.....	Page 8
• Chest and Waist Support.....	8
• Shoulder Support.....	8
• Power Lift Shoulder Arthroscopy Positioner.....	8
• Manual Shoulder Arthroscopy Positioner.....	9
• Power Lift Shoulder Arthroscopy Positioner (6600 Series, Back Section).....	9
• Lateral Brace for Shoulder Positioners.....	9
• Pelvic Tilt Seat.....	10
• Table Side Extension and Pads.....	10
• Prone Positioning Frame (Cloward Saddle).....	10
• Kidney Horns (6500, 3500 & 6600 Series Tables).....	11
• Kidney Horns (6000, 6002 Series & early 6500 Tables).....	11
Leg Support and Uro Accessories.....	Page 12
• Knee Crutches and Pads.....	12
• Knee Crutches (with Foot Support) and Pads.....	12
• Knee/Calf Ankl-Lock Crutches and Pads.....	12
• Ankl-Lock III Lithotomy Stirrups, Pads and Straps.....	13
• Levitator Stirrups and Pads.....	13
• Lithotomy Stirrups and Straps.....	14
• Foot Rests and Pads.....	14
• 18” Knee Rest and Pads.....	15
• 18” Foot Extension and Pads.....	15
• 10” Foot Extension and Pads.....	16
• Transfer Board (Side Rail Type).....	16
• Transfer Board (Pin Type).....	16
• 36” Carbon Fiber Back/Leg Section (6600 & 3500 Tables) and Pads.....	17
• 48” Carbon Fiber Leg Extension (3500 Table) and Pads.....	17
• Universal Split Leg Accessory and Pads.....	17
• Uro Drain Trays with Mounting Brackets.....	18
• Head End Uro Tray Adapters.....	18
• KUB Board, Pad and Radiographic Top.....	19
• Uro Bracket Set.....	19
• Uro Catcher Sterile Pouch (ea.).....	19
• Uro Catcher Sterile Pouch (Pkg. of 10).....	19
X-Ray Accessories.....	Page 20
• Radiographic Tops.....	20
• Lateral Cassette Holder.....	20
• Universal Cassette Holder.....	21
• Cassette Tray.....	21

Table of Contents (continued)

General Accessories.....	Page 22
• 96" Restraint Strap (2 Buckles).....	22
• 105" Restraint Strap (2 Buckles).....	22
• 90" Restraint Strap (Velcro Fastener).....	22
• 58-1/2" Snap Strap.....	23
• 75" Patient Safety Strap.....	23
• 47-1/2" Nissen Strap Set.....	23
• 2" (65") Restraint Strap (1 Buckle).....	24
• Patient Security Straps (Velcro Fastener) (74"x3" & 74"x5").....	24
• Nylon Restraint Belt (Velcro Fastener) (72"x5").....	24
• Anesthesia Screen "L" Type.....	25
• Anesthesia Screen "Wing" Type.....	25
• Anesthesia Screen "L" Type with Two Adjustable Wings.....	25
• Catheter Extension.....	26
• EZ Grip Bar Clamp.....	26
• Universal Side Rail Clamp.....	26
• Tri-Clamp.....	26
• EZ Lock Clamp.....	27
• Heavy Duty Support Rods.....	27
• Instrument Tray.....	27
• Side Rail Extension and Clamp Assembly (7").....	28
• Raised Side Rail Extension and Clamp Assembly (7").....	28
• 6" Clamp-On Rail.....	28
Head Support Accessories.....	Page 29
• General Purpose Head Support.....	29
• Mayfield Neuro Adapter.....	29
• Neuro Adapter.....	29
• Narrow Head Section and Pads.....	30
• Silhouetted Narrow Head Section.....	30
Table Control Accessories.....	Page 31
• Three Function Foot Control for 3100A Table.....	31
• Three Function Foot Control for 6500, 6001K, 6001KR, 6000K and 6002 Tables.....	31
• Three Function Foot Control for 6001KRB, 6500B and 6002B Tables.....	31
• Three Function Foot Control for 3500 Table.....	31
• Three Function Foot Control for 3500B Table.....	32
• Three Function Foot Control for 6600 Table.....	32
• Three Function Foot Control for 6600B Table.....	32
• Three Function Foot Control for 3000 Table.....	32
• Three Function Foot Control for 3001 Table.....	32
• Angle Block Adapter for Pendant Controls.....	33
• Pendant Right Angle Clamp.....	33
• Joystick Control with Energize Button (for 3001 Table).....	33
Orthopedic Accessories.....	Page 34
• Exploded Diagrams for 3500 Tibia & Orthopedic Packages.....	34
• 3500 Tibia Package.....	35
• 3500 Orthopedic Package.....	35
• Skeletal Traction Hook.....	36
• Drape Supports.....	36
• Lower Leg Support.....	36

Table Pads



Mattress Pad Set



Sof-Pad Set

3100 SERIES TABLES

2" 2 Piece Mattress Pad Set Part No. 1-010-12-P
 2" 2 Piece Sof-Pad Set Part No. 1-010-12-S

5000, 6000, 6000K, 1200 & 1200K TABLES

2" 4 Piece Mattress Pad Set Part No. 1-010-15-P
 2" 4 Piece Sof-Pad Set Part No. 1-010-15-S

1100 TABLE

2" 6 Piece Mattress Pad Set Part No. 1-010-19-P
 2" 6 Piece Sof Pad Set Part No. 1-010-19-S

7000 TABLE

2" 7 Piece Mattress Pad Set Part No. 1-010-20-P
 2" 7 Piece Sof-Pad Set Part No. 1-010-20-S

6001, 6002, 6500, 6600 SERIES TABLES

2" 3 Piece Mattress Pad Set Part No. 1-010-22-P
 2" 3 Piece Sof-Pad Set Part No. 1-010-22-S

3500 SERIES TABLES

2" 3 Piece Mattress Pad Set Part No. 1-010-24-P
 2" 3 Piece Sof-Pad Set Part No. 1-010-24-S

3000 & 3001 TABLES

2" Mattress Pad Set Part No. 1-010-30-P
 2" Sof-Pad Set Part No. 1-010-29-S

1650 TABLE

2" 3 Piece Mattress Pad Set Part No. 1-010-21-P

OP1900 TABLE

2" 5 Piece Mattress Pad Set Part No. 1-010-51-P
 2" 5 Piece Sof-Pad Set Part No. 1-010-51-S

OPERA TABLE

2" 6 Piece Mattress Pad Set Part No. 1-010-53-P

1700 TABLE

2" 3 Piece Mattress Pad Set Part No. 1-010-33-P
 2" 3 Piece Sof-Pad Set Part No. 1-010-33-S



HD Mattress Pad Set

6001, 6002, 6500, 6600, SERIES TABLES

3" 3 Piece Mattress Pad Set Part No. 1-010-22-PHD

Arm Support Accessories & Pads



STANDARD ARMBORD

Part No. 2-010-02

2" Standard Armboard Pad
Part No. 2-010-02-2P

4" Standard Armboard Pad
Part No. 2-010-02-4P

2" Standard Armboard Sof-Pad
Part No. 2-010-02-2S

4" Standard Armboard Sof-Pad
Part No. 2-010-02-4S

3" HD Armboard Pad
Part No. 2-010-02-3PHD

5" HD Armboard Pad
Part No. 2-010-02-5PHD

RADIOLUCENT STANDARD ARMBORD

Part No. 2-010-04

2" Standard Armboard Pad
Part No. 2-010-02-2P

4" Standard Armboard Pad
Part No. 2-010-02-4P

2" Standard Armboard Sof-Pad
Part No. 2-010-02-2S

4" Standard Armboard Sof-Pad
Part No. 2-010-02-4S

3" HD Armboard Pad
Part No. 2-010-02-3PHD

5" HD Armboard Pad
Part No. 2-010-02-5PHD



SINGLE CARBON FIBER ARMBORD

(for 3000 and 3001 Tables)

Part No. 2-060-01

2" Standard Pad for Single or
Dual Carbon Fiber Armboard
Part No. 2-060-01-2P

4" Standard Pad for Single or
Dual Carbon Fiber Armboard
Part No. 2-060-01-4P

Arm Support Accessories & Pads

ARM SURGERY BOARD (36") *(NOT compatible on 1100, 3100 and 6600 Tables)*

Part No. 2-030-02-B

1" Pad for 36" Arm Surgery Board
(used with 2" Table Pad only)
Part No. 2-030-02-1

3" Pad for 36" Arm Surgery Board
(used with 2" Table Pad and X Ray Top)
Part No. 2-030-02-3



ARM SURGERY BOARD (36") **Side Rail Mount** *(with Support Rod)* *(used on ALL Tables)*

Part No. 2-030-04

1" Pad for 36" Arm Surgery Board
(used with 2" Table Pad only)
Part No. 2-030-02-1

3" Pad for 36" Arm Surgery Board
(used with 2" Table Pad and X Ray Top)
Part No. 2-030-02-3

Replacement Adapter Block
to install Support Rod
Part No. 4-030-12-1

Replacement Support Rod
Part No. 4-030-12-2

Arm Support Accessories & Pads



RAISED ARMBOARD
(requires clamp)
(EZ Lock Clamp recommended)
Part No. 2-020-01-1

MULTI-TASK ARMBOARD
(with Pad) (requires Clamp)
(EZ Lock Clamp Recommended)
Part No. 2-020-02



OB HAND GRIPS (pr.)
(with Clamps)
Part No. 2-050-01

BAR CLAMP (ea.)
(Replacement)
Part No. 6-030-01



Body Support Accessories



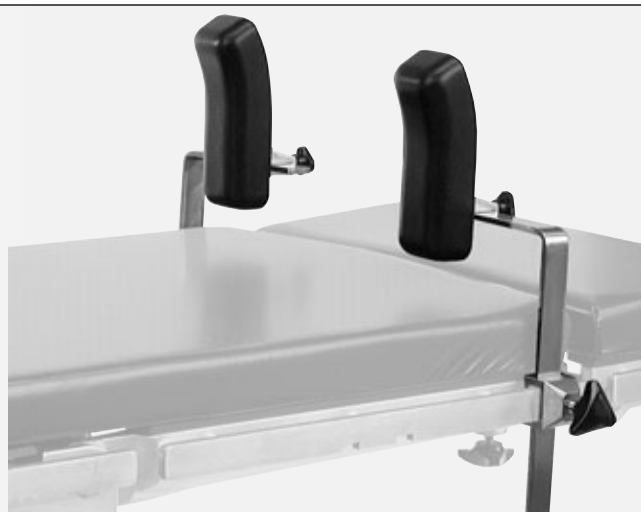
CHEST & WAIST SUPPORT (pr.)
(with Clamps)
Part No. 3-010-01



BAR CLAMP (ea.)
(Replacement)
Part No. 6-030-01

SHOULDER SUPPORT (pr.)
(with Clamps)
Part No. 3-040-01

BAR CLAMP (ea.)
(Replacement)
Part No. 6-030-01



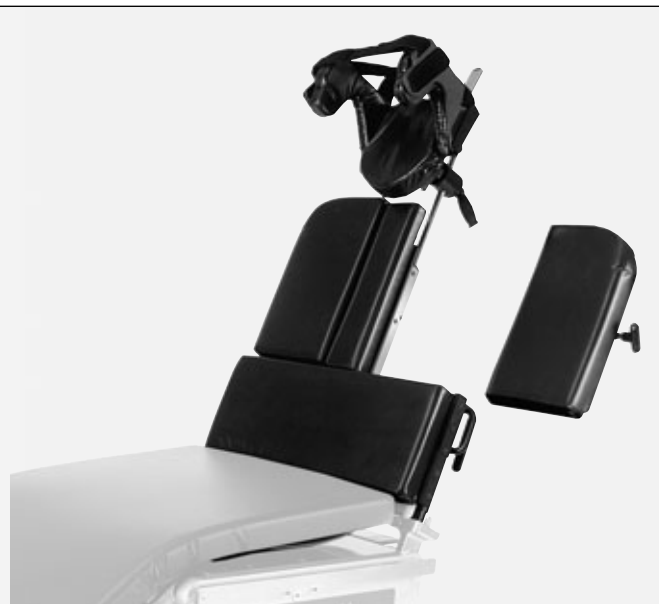
**POWER LIFT SHOULDER
ARTHROSCOPY POSITIONER**
(for use with 6500 & 3500 Tables)
(6600 Leg Section Only)
Part No. 3-040-09

Body Support Accessories



**MANUAL SHOULDER
ARTHROSCOPY POSITIONER**
(Side Rail Type)
(with Clamps)
Part No. 3-040-10

**POWER LIFT SHOULDER
ARTHROSCOPY POSITIONER**
*(for use with 6600 Series
back section only)*
Part No. 3-040-11



**LATERAL BRACE FOR
SHOULDER POSITIONERS**
(with Clamp)
Part No. 3-010-04

EZ LOCK CLAMP
(ea.)
(Replacement)
Part No. 6-040-07



Body Support Accessories



PELVIC TILT SEAT
(with pad)
*(for use with 6500,
6600 & 3500 Series Tables)*
Part No. 3-040-07

TABLE SIDE EXTENSION
(3-1/2" X 15")
(ea.) (with side rails)
(without Pad) (fits any Table)
Part No. 3-060-04

2" Pad for Table Side Extension
Part No. 3-060-01-2P

4" Pad for Table Side Extension
Part No. 3-060-01-4P

2" Sof-Pad for Table Side Extension
Part No. 3-060-01-2S

4" Sof-Pad for Table Side Extension
Part No. 3-060-01-4S

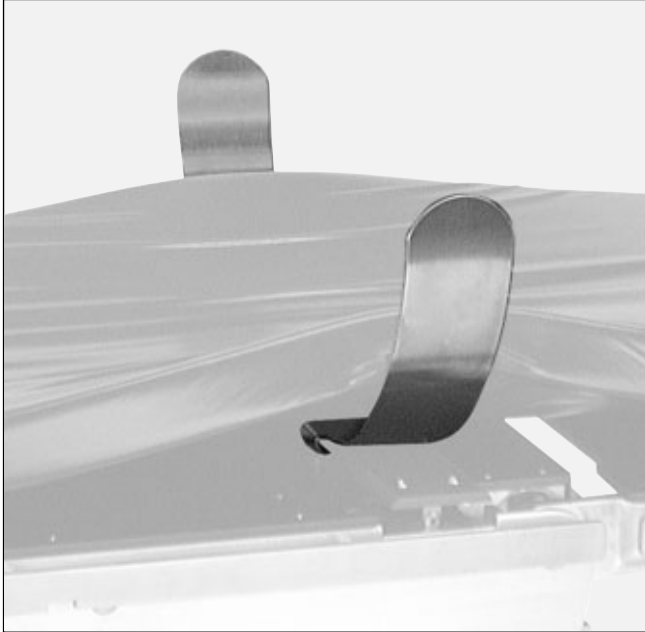
3" HD Pad for Table Side Extension
Part No. 3-060-02-3PHD

5" HD Pad for Table Side Extension
Part No. 3-060-02-5PHD



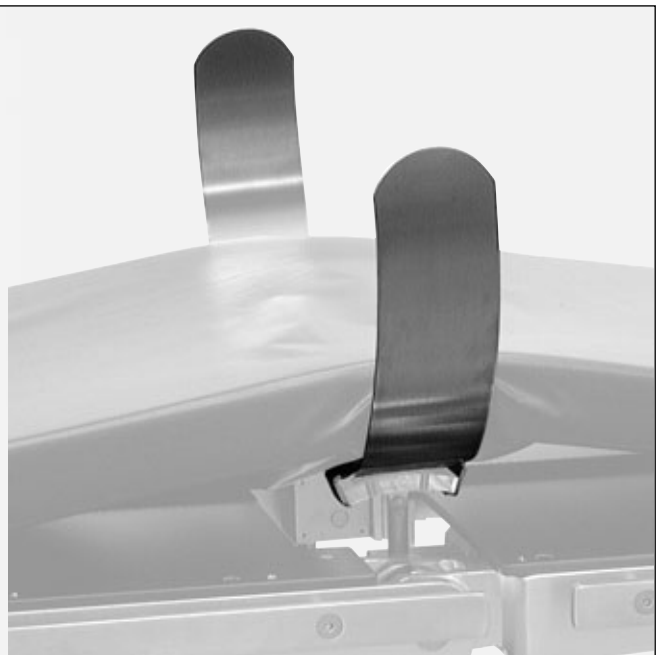
PRONE POSITIONING FRAME
(Cloward Saddle)
Part No. 3-070-01

Body Support Accessories



KIDNEY HORNS (pr.)
*(6500, 3500 & 6600 Series Tables
Carbon Fiber Bridge)*
Part No. 3-080-01

KIDNEY HORNS (pr.)
*(6001 & 6002 Series,
& Early 6500 Tables)*
Part No. 3-080-02



Leg Support and Uro Accessories



KNEE CRUTCHES (pr.)
(requires Clamps)
(EZ Lock Clamp recommended)

Part No. 4-010-01-1

Knee Crutch Sof-Pads (pr.)
Part No. 4-010-01-1S

KNEE CRUTCHES
(with Foot Support) (pr.)
(requires Clamps)
(Tri-Clamp or EZ Lock
Clamp recommended)

Part No. 4-010-03-1

Pads for Knee Crutches
with Foot Support (pr.)
Part No. 4-010-03-1P



KNEE/CALF ANKL-LOCK
CRUTCHES (pr.)
(with Pads) (requires Clamps)
(EZ Lock Clamp recommended)

Part No. 4-010-04-1

Leg Support and Uro Accessories



ANKL-LOCK III LITHOTOMY STIRRUPS (pr.)

(with Pads and Straps)
(requires Clamps)
(Tri-Clamp or EZ Lock Clamp recommended)

Part No. 4-080-01-1

ANKL-LOCK II & III
Replacement Straps (pr.)
Part No. 4-070-01-2

ANKL-LOCK II & III
Replacement Pads (pr.)
Part No. 4-070-01-3

LEVITATOR STIRRUPS (pr.) **(Blade Type)** **(with Pads and Straps)** **(requires EZ Grip Bar Clamps)**

Part No. 4-090-03-1

Replacement Straps (pr.)
Part No. 4-070-01-2

Replacement Pads (pr.)
Part No. 4-070-01-3

Replacement Foot Support Pads (pr.)
Part No. 4-090-03-2

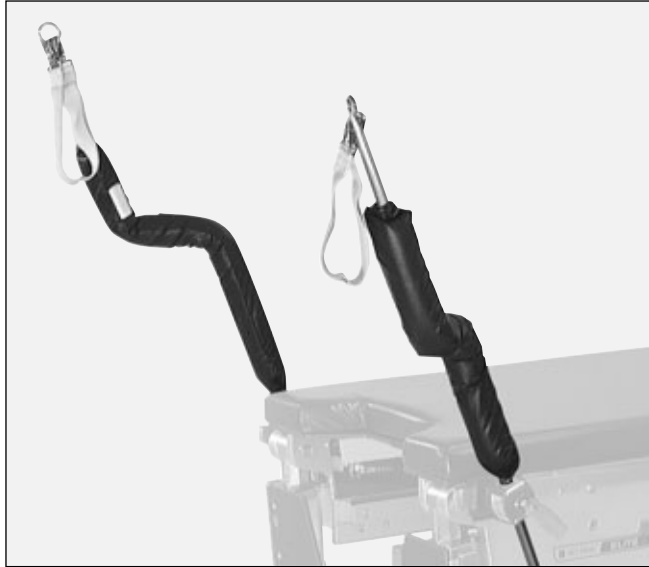
HEAVY DUTY LEVITATOR STIRRUPS **(pr.) (Blade Type)** **(with Pads and Straps)** **(requires EZ Grip Bar Clamps)**

Part No. 4-090-03-1HD

Replacement Pads with Straps
Part No. 4-090-03-2HD



Leg Support and Uro Accessories



LITHOTOMY STIRRUPS (pr.)
(requires Clamps)
(EZ Lock Clamp recommended)
Part No. 4-020-02-4

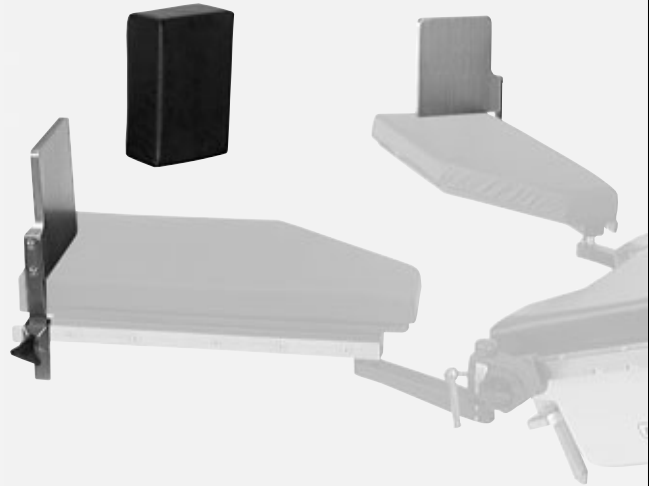
Lithotomy Straps (pr.)
(for use with Lithotomy Stirrups)
Part No. 4-020-02-2

FOOT RESTS (pr.)
(with clamps)
Part No. 4-030-01

4" Pad for Foot Rests (pr.)
Part No. 4-030-01-1



BAR CLAMP (ea.)
(Replacement)
Part No. 6-030-01



Leg Support and Uro Accessories



18" KNEE REST **(with clamps)**

Part No. 4-030-10-B

2" Pad for 18" Foot Extension/Knee Rest
Part No. 4-030-10-2P

4" Pad for 18" Foot Extension/Knee Rest
Part No. 4-030-10-4P

EZ GRIP BAR CLAMP **(ea.)** **(Replacement)**

Part No. 6-030-05



18" FOOT EXTENSION **(with Built-in Clamps** **and Support Rod)**

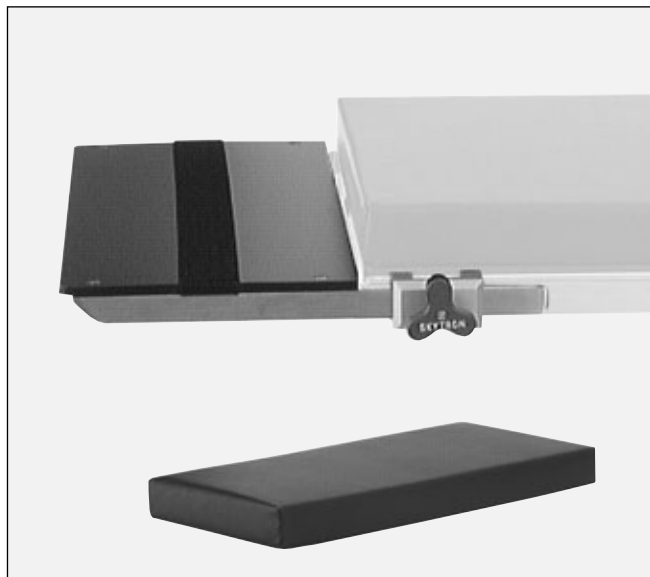
Part No. 4-030-12-HD

2" Pad for 18" Foot Extension/Knee Rest
Part No. 4-030-10-2P

4" Pad for 18" Foot Extension/Knee Rest
Part No. 4-030-10-4P



Leg Support and Uro Accessories



10" FOOT EXTENSION (with clamps)

Part No. 4-030-13

2" Pad for 10" Foot Extension
Part No. 4-030-13-2P

4" Pad for 10" foot Extension
Part No. 4-030-13-4P

EZ GRIP BAR CLAMP (ea.)

(Replacement)

Part No. 6-030-05



TRANSFER BOARD (Side Rail Type) (3500, 6001, 6002, 6500 & 6600 Series, 3100A, 1700 & Opera Tables)

Part No. 4-030-18



TRANSFER BOARD (Pin Type)

(6500, 6001, 6002 & 6600 Series and
1700 Tables)

Part No. 4-030-20

Leg Support and Uro Accessories



36" CARBON FIBER BACK/LEG SECTION **(6600 & 3500 Tables)**

Part No. 4-030-36

2" Standard Pad for 36" Carbon Fiber Back/Leg Extension
Part No. 4-030-36-2P

4" Standard Pad for 36" Carbon Fiber Back/Leg Extension
Part No. 4-030-36-4P

2" Sof-Pad for 36" Carbon Fiber Back/Leg Extension
Part No. 4-030-36-2S

4" Sof-Pad for 36" Carbon Fiber Back/Leg Extension
Part No. 4-030-36-4S

48" CARBON FIBER LEG EXTENSION **(3500 Table Only)** **(with Support Rod)**

Part No. 4-030-48

2" Standard Pad for 48" Leg Extension
Part No. 4-030-48-P

4" Standard Pad for 48" Leg Extension
Part No. 4-030-48-4P

2" Sof-Pad for 48" Leg Extension
Part No. 4-030-48-S

4" Sof-Pad for 48" Leg Extension
Part No. 4-030-48-4S



UNIVERSAL SPLIT LEG ACCESSORY

(pr.) (fits all Tables)
(with 2" Pad)

Part No. 4-030-60

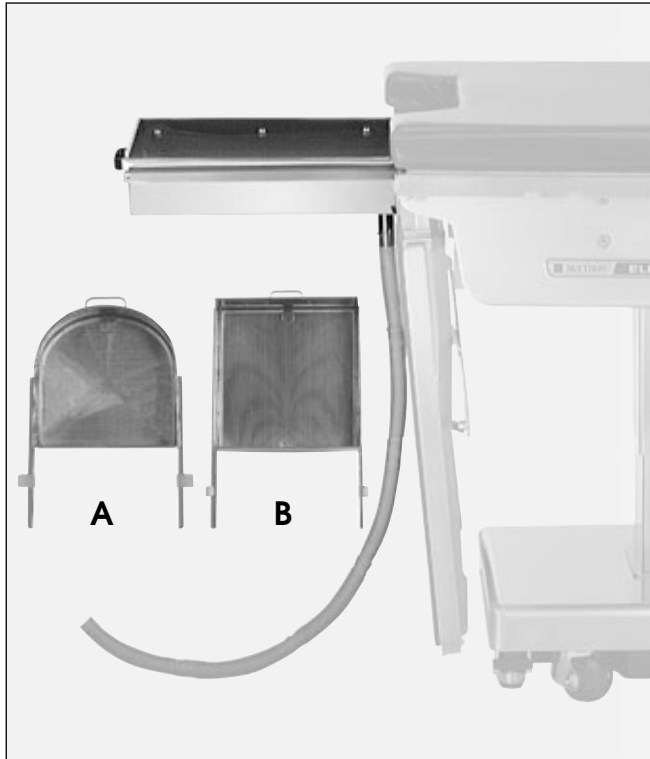
2" Sof-Pad for Split Leg Accessory (Left)
Part No. 4-030-60-2SL

2" Sof-Pad for Split Leg Accessory (Right)
Part No. 4-030-60-2SR

4" Sof-Pad for Split Leg Accessory (Left)
Part No. 4-030-60-4SL

4" Sof-Pad for Split Leg Accessory (Right)
Part No. 4-030-60-4SR

Leg Support and Uro Accessories



URO DRAIN TRAYS

A Uro Drain Tray with Mounting Brackets
(6001, 6002, 6500, 6600 Series)
Part No. 4-040-03

B Uro Drain tray with Mounting Brackets
(3100 Series Tables)
Part No. 4-040-05

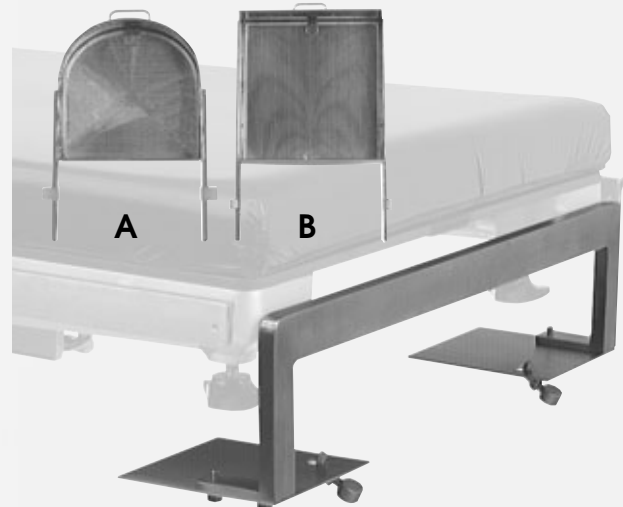
B Uro Drain Tray with Mounting Brackets
(3500 Series Tables)
Part No. 4-040-07

HEAD END URO TRAY ADAPTERS

A Head End Uro Tray Adapter with
Uro Drain Tray
(6000, 6600 & 6500 Series
and 1700 Tables)
Part No. 4-040-06

A Head End Uro Tray Adapter
(6000, 6600 & 6500 Series
and 1700 Tables)
Part No. 4-040-06-1

B Head End Uro Tray Adapter
(6000, 6600 & 6500 Series
and 1700 Tables)
Part No. 4-040-06-3



Leg Support and Uro Accessories



KUB BOARD
*(for use with 6500, 6600
and 3500 Series Tables Only)*
Part No. 4-040-09

2" Pad for KUB Board
Part No. 4-040-09-1

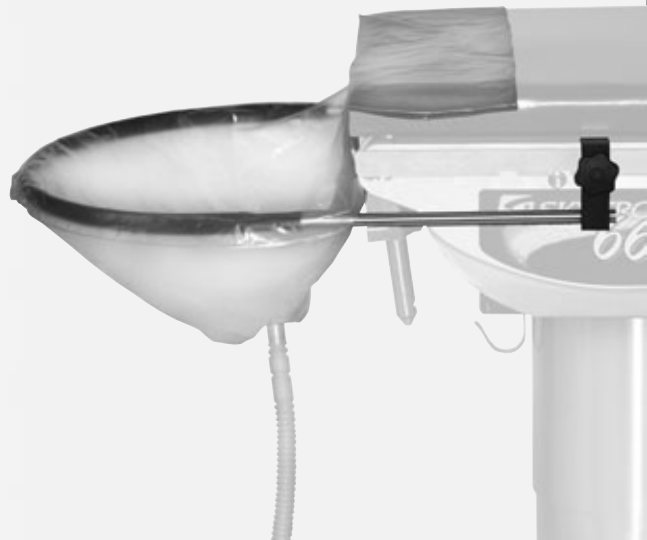
Radiographic Top for KUB Board
Part No. 4-040-09-2

URO BRACKET SET

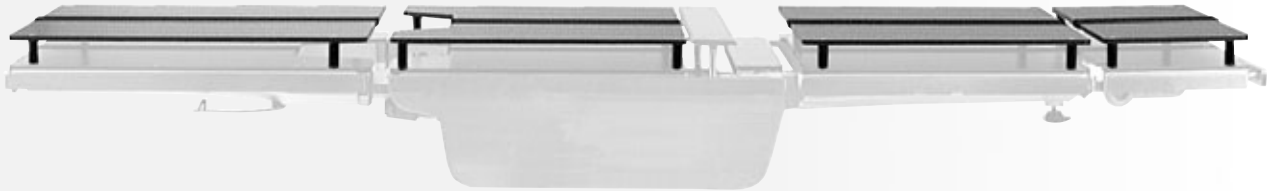
Part No. 4-040-16

Uro Catcher Sterile Pouch (ea.)
Part No. 4-040-14-1

Uro Catcher Sterile Pouch (Pkg. of 10)
Part No. 4-040-1-10



X-Ray Accessories



RADIOGRAPHIC TOPS

Radiographic Top (6500 Series Table)
Part No. 5-010-09-B

Radiographic Top (6001 and 6002 Series Tables)
Part No. 5-010-10-B

Radiographic Top (6500HD Table)
Part No. 5-010-14-B

Radiographic Top (3500 Series Table)
Part No. 5-010-16-B

Radiographic Top (6600 Series Table)
Part No. 5-010-18-B

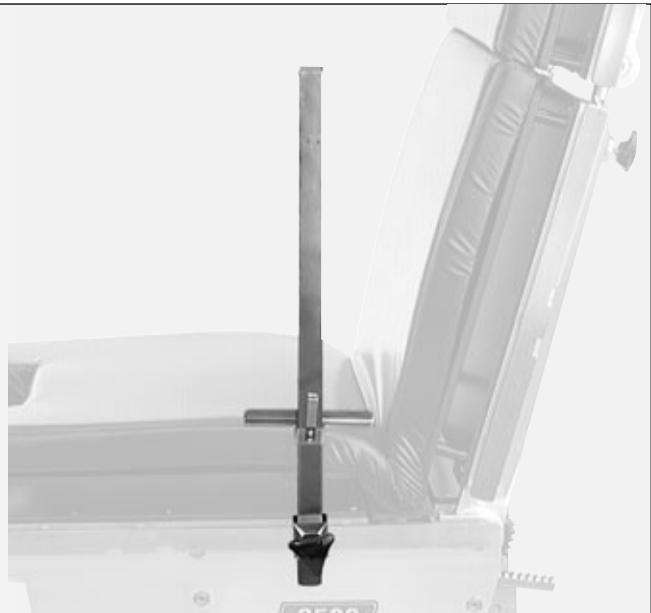
Radiographic Top (1700 Table)
Part No. 5-010-19-B

LATERAL CASSETTE HOLDER *(with clamp)*

Part No. 5-020-02



BAR CLAMP (ea.)
(Replacement)
Part No. 6-030-01

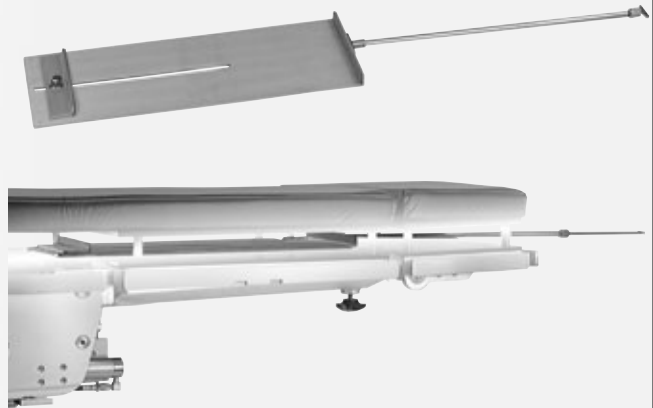


X-Ray Accessories



UNIVERSAL CASSETTE HOLDER
(with built-in clamps)
Part No. 5-030-03

CASSETTE TRAY
(with Adjustable Rod)
Part No. 5-040-02



General Accessories



96" RESTRAINT STRAP
(2 Buckles)
Part No. 6-010-41-B



105" RESTRAINT STRAP
(2 Buckles)
Part No. 6-010-41-X



90" RESTRAINT STRAP
(Velcro Fastener)
Part No. 6-010-41-V

General Accessories



58-1/2" SNAP STRAP

Part No. 6-010-42

75" (37"/38") PATIENT SAFETY STRAP

Part No. 6-010-50



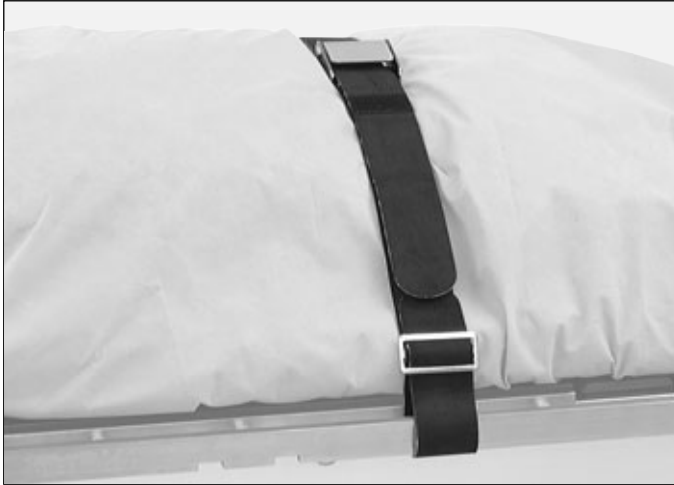
47-1/2" NISSEN STRAP SET (with pads)

Part No. 6-010-51

Replacement Pads

Part No. 6-010-51-S

General Accessories



2" RESTRAINT STRAP
65" (42" /23")
(1 Buckle)
Part No. 6-010-52

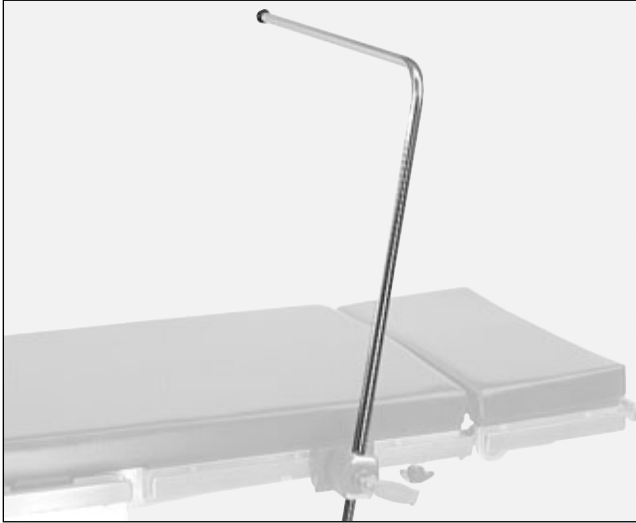


PATIENT SECURITY STRAPS
74" x 3" & 74" x 5"
(Velcro Fastener)
Part No. 6-010-56



NYLON RESTRAINT BELT
72" x 5"
(Velcro Fastener)
Part No. 6-010-57

General Accessories

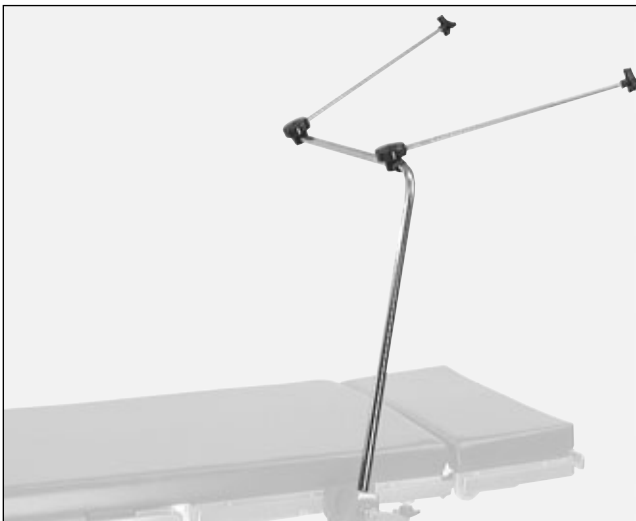


ANESTHESIA SCREEN "L" TYPE
(requires Clamp)
(EZ Lock Clamp recommended)
Part No. 6-020-02-1

**ANESTHESIA SCREEN
"WING" TYPE**
(with Clamps)
Part No. 6-020-03



BAR CLAMP (ea.)
(Replacement)
Part No. 6-030-01



**ANESTHESIA SCREEN "L" TYPE
with TWO ADJUSTABLE WINGS**
(requires Clamp)
(EZ Lock Clamp recommended)
Part No. 6-020-04-1

General Accessories



CATHETER EXTENSION
(for 3001 Table)
Part No. 6-020-09

EZ GRIP BAR CLAMP (ea.)
(for flat bar only)
Part No. 6-030-05



UNIVERSAL SIDE RAIL CLAMP
(ea.) (5/8" hole)
(for round bar only)
Part No. 6-040-01

TRI-CLAMP (ea.)
(for flat or round bar)
(not for Levitators)
Part No. 6-040-03



General Accessories



EZ LOCK CLAMP (ea.)
(for round bar)
Part No. 6-040-07



**HEAVY DUTY SUPPORT
ROD for FLAT BAR Clamp**
Part No. 6-030-05-HD

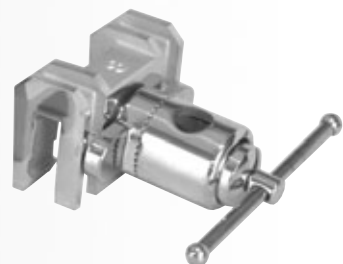


**HEAVY DUTY SUPPORT ROD
for ROUND BAR CLAMP**
Part No. 6-040-07-HD



INSTRUMENT TRAY
(with clamp)
Part No. 6-060-01

**UNIVERSAL SIDE
RAIL CLAMP**
(ea.)
(Replacement)
Part No. 6-040-01



General Accessories

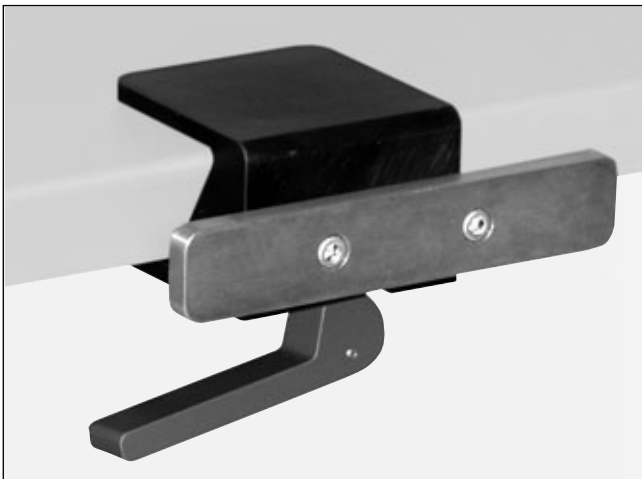
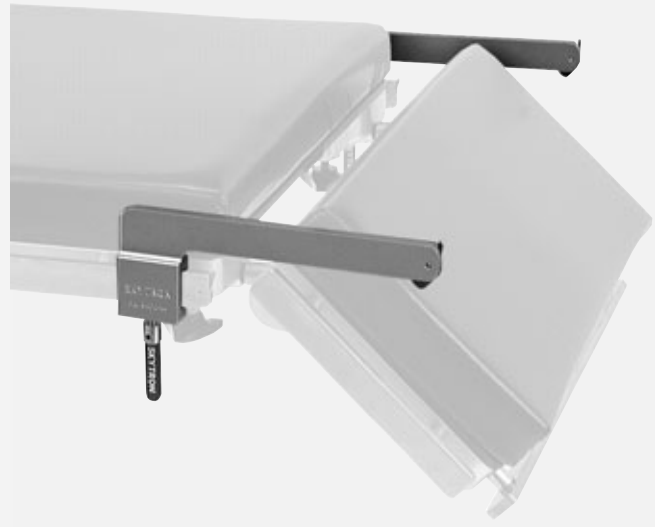


SIDE RAIL EXTENSION AND CLAMP ASSEMBLY (7")*(pr.)*

Part No. 6-070-03

RAISED SIDE RAIL EXTENSION AND CLAMP ASSEMBLY (7")*(pr.)*

Part No. 6-070-04



6" CLAMP-ON RAIL

(for use on 3000 and 3001 Tables, 48" Leg Extension and 36" Back/Leg Section)

Part No. 6-070-06

Head Support Accessories



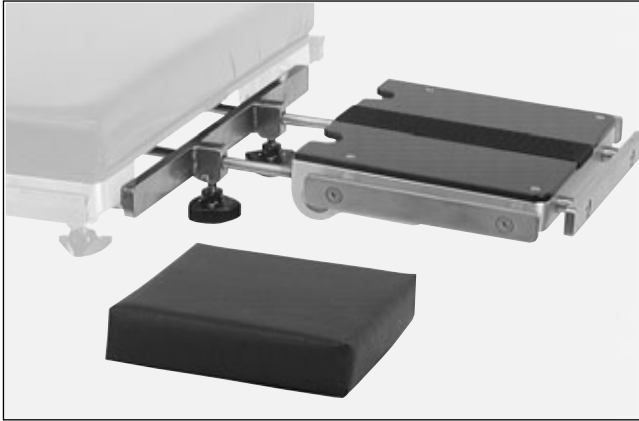
**GENERAL PURPOSE
HEAD SUPPORT**
*(for use with 6001, 6500, 3500 & 6600
Series and 1700 Tables)*
Part No. 7-010-01

MAYFIELD NEURO ADAPTER
(fits all Tables except 3100A and 3001)
Part No. 7-010-02-S



NEURO ADAPTER
*(for use with 6001, 6500 & 3500
Series and 1700 Tables)*
Part No. 7-010-02-B

Head Support Accessories



NARROW HEAD SECTION
*(For 3500, 6500, 6001, 6002
and 6600 Series and 1700 Tables)*
*(Does NOT include replacement back
section side rails for older 6001 Tables)*
Part No. 7-010-07

2" Pad for Narrow Head Section
Part No. 7-010-03-2

4" Pad for Narrow Head Section
Part No. 7-010-03-4

**SILHOUETTED NARROW
HEAD SECTION**
(with 2" Pad)
*(for 3500, 6500, 6600, 6001,
6002 Series and 1700 Table)*
Part No. 7-010-08



Table Control Accessories



THREE FUNCTION FOOT CONTROL for 3100A TABLE

Part No. 9-020-03

(requires auxiliary base connector kit)
Part No. D5-060-24

THREE FUNCTION FOOT CONTROL for 6500, 6001K, 6001KR, 6000K & 6002 TABLES

Part No. 9-020-04

(requires auxiliary base connector kit)
Part No. D5-032-00



THREE FUNCTION FOOT CONTROL for 6001KRB, 6500B & 6002B TABLES

Part No. 9-020-06

(requires auxiliary base connector kit)
Part No. D5-032-00-NB
Part No. D5-032-00-BT for 6500B



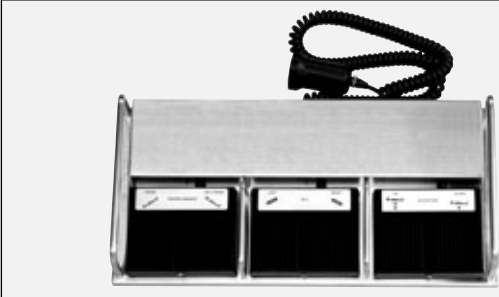
THREE FUNCTION FOOT CONTROL for 3500 TABLE

Part No. 9-020-07

(requires auxiliary base connector kit)
Part No. D5-035-01



Table Control Accessories



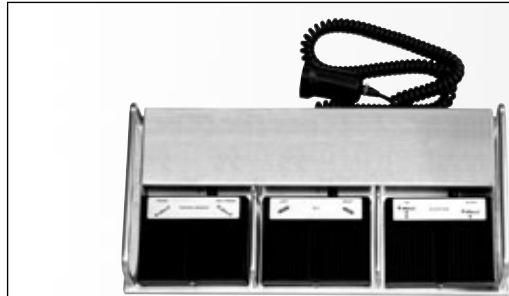
THREE FUNCTION FOOT CONTROL for 3500B TABLE

Part No. 9-020-07-B

(requires auxiliary base connector kit)
Part No. D5-035-14

THREE FUNCTION FOOT CONTROL for 6600 TABLE

Part No. 9-020-09



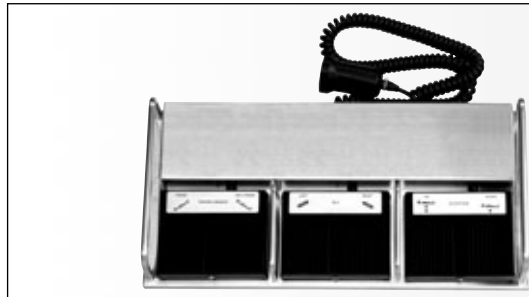
THREE FUNCTION FOOT CONTROL for 6600B TABLE

Part No. 9-020-09-B

THREE FUNCTION FOOT CONTROL for 3000 TABLE

Part No. 9-020-10

(requires auxiliary base connector kit)
Part No. D1-065-03



THREE FUNCTION FOOT CONTROL for 3001 TABLE

Part No. 9-020-11

(requires auxiliary base connector kit)
Part No. D1-065-03

Table Control Accessories



ANGLE BLOCK ADAPTER FOR PENDANT CONTROLS

*(fits all tables except OP1900)
(requires installation)*

Part No. 9-050-02

Angle Block Installation *(at Skytron only)*

Part No. 9-050-02-1

PENDANT RIGHT ANGLE CLAMP

Part No. 9-050-03



JOYSTICK CONTROL with ENERGIZE BUTTON

(for x-y control of 3001 Table Top)

Part No. 9-020-12-J

(requires auxiliary base connector kit)

Part No. D1-065-11

Orthopedic Accessories

3500 ORTHO PACKAGE

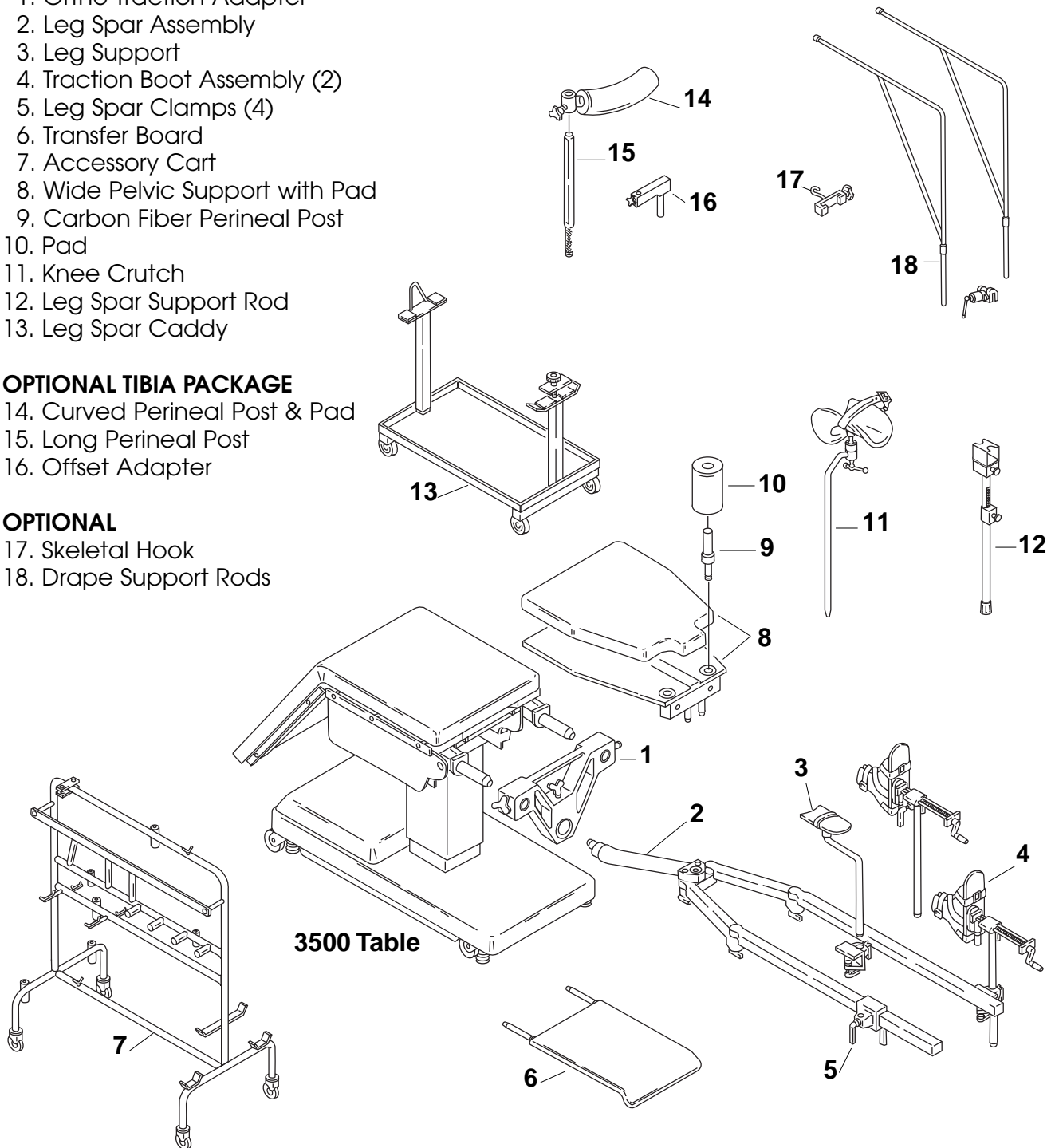
1. Ortho Traction Adapter
2. Leg Spar Assembly
3. Leg Support
4. Traction Boot Assembly (2)
5. Leg Spar Clamps (4)
6. Transfer Board
7. Accessory Cart
8. Wide Pelvic Support with Pad
9. Carbon Fiber Perineal Post
10. Pad
11. Knee Crutch
12. Leg Spar Support Rod
13. Leg Spar Caddy

OPTIONAL TIBIA PACKAGE

14. Curved Perineal Post & Pad
15. Long Perineal Post
16. Offset Adapter

OPTIONAL

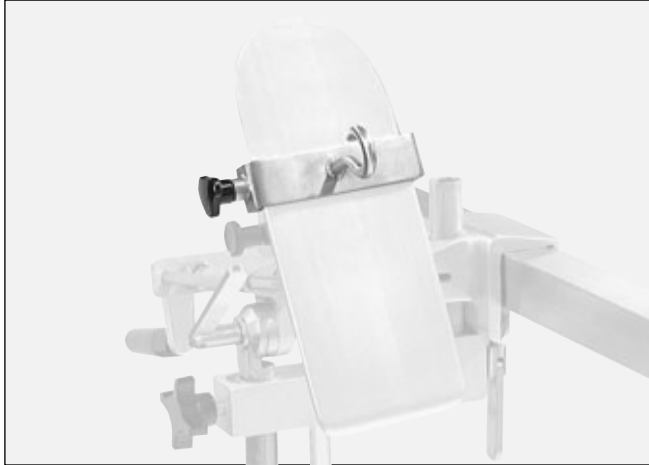
17. Skeletal Hook
18. Drape Support Rods



Orthopedic Accessories

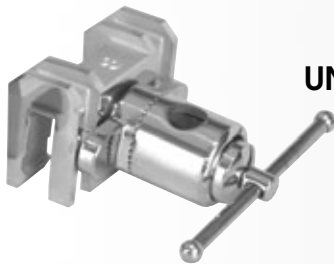


Orthopedic Accessories



SKELETAL TRACTION HOOK
Part No. D7-070-02

DRAPE SUPPORTS
*(with Clamp for
Smaller Diameter Support)*
Part No. D7-070-06



**UNIVERSAL SIDE RAIL
CLAMP (ea.)**
(Replacement)
Part No. 6-040-01



LOWER LEG SUPPORT
Part No. D7-070-14



Skytron
is a privately held
provider of premium
quality, high performance
surgical support
systems and products.



Local Representative

B-E Hospital Equipment Company • 1917 Rutger Street • St. Louis, MO 63104
1.314.241.0855 • FAX 1.314.241.1932 EMAIL sales@behospital.com