

Skytron 6002 Series General Purpose Surgical Table



600 lb. Capacity, Maximum Imaging Flexibility

600 lb. Capacity, Maximum Imaging Flexibility

Skytron's 6002 Series Surgical Table provides 600 lb. Capacity along with imaging flexibility for the surgical specialties you've come to expect a General Purpose Surgical Table to handle, including Urology and Neurosurgery. The 6002 Series is equipped with our exclusive 180° rotating top, which provides maximum C-arm access and patient positioning options... with the added benefit of clearing the table base for every procedure.



Skytron continues to provide Signature Leadership in safely *Lifting and Articulating* your heaviest patients with the 6002 Series Table.

Premium Quality and Dependability

Skytron has long been recognized as the Market Leading Provider of Premium Quality Surgical Tables of the Utmost Dependability.

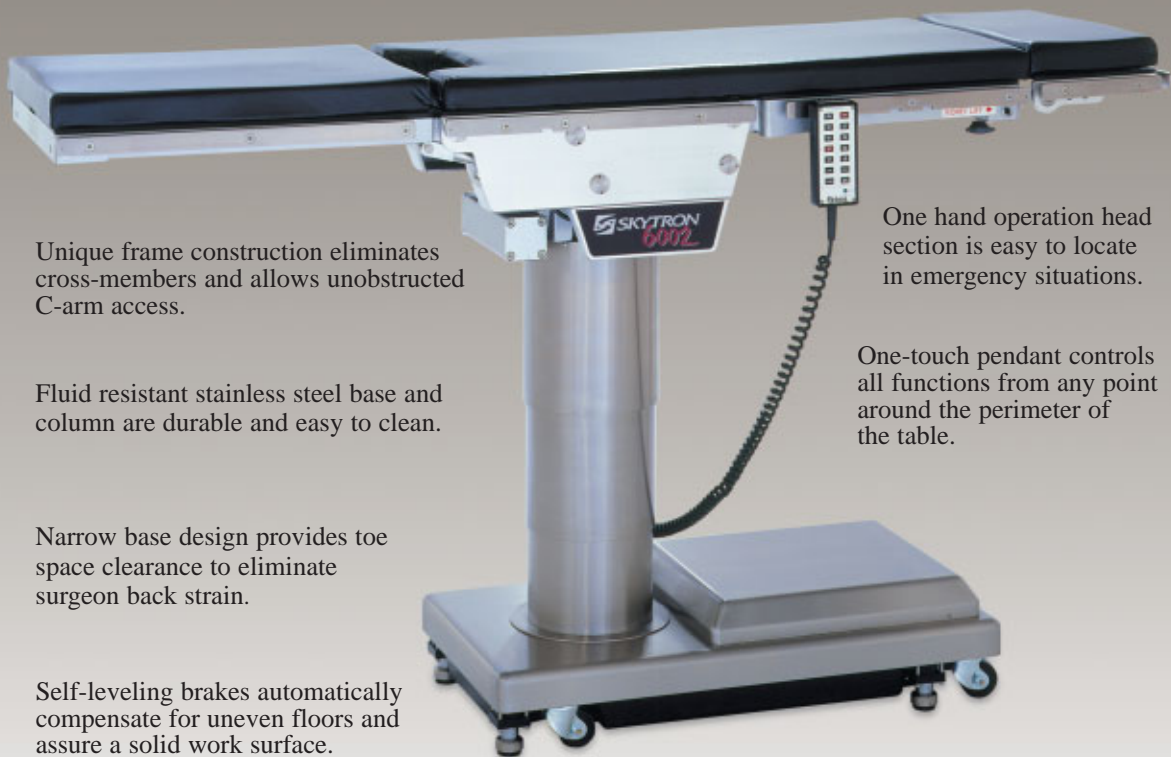
Radiolucent top permits clear, sharp image amplification.

Unobstructed perineal access.

Head section can be used as a

180° Table Top Rotation

Adjustable head section can be extended to accommodate taller patients.



Unique frame construction eliminates cross-members and allows unobstructed C-arm access.

Fluid resistant stainless steel base and column are durable and easy to clean.

Narrow base design provides toe space clearance to eliminate surgeon back strain.

Self-leveling brakes automatically compensate for uneven floors and assure a solid work surface.

4-point brake system maximizes table stability.

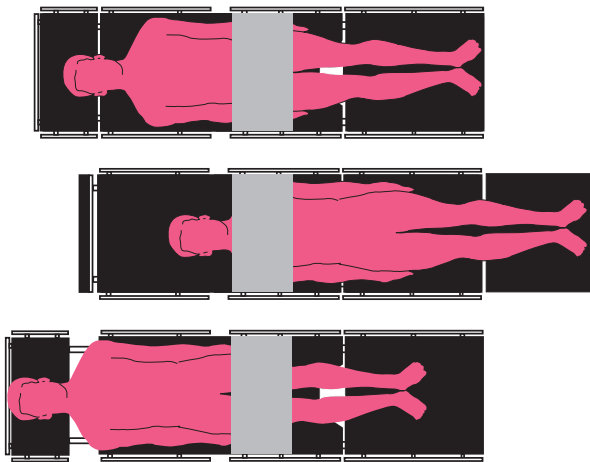
One hand operation head section is easy to locate in emergency situations.

One-touch pendant controls all functions from any point around the perimeter of the table.

**600 lb. Lift and
Articulating Capacity.**

Exclusive 180° Rotating Top, Maximum Imaging Flexibility

The 6002 Surgical Table's 180° rotating top provides uncommon flexibility and maximum positioning capability for all general purpose and most specialty procedures. Providing greater imaging windows and "patient to table orientation" which is always correct with respect to the table's pendant control.



Unequaled Image Amplification Coverage for:

- Cholangiography
- Femoral/popliteal Bypass
- Pacemakers
- (with 18" Leg Extension)
- Implantable Defibrillators
- Laser Angioplasty
- Hickman Catheters
- Endourology
- Broviac Insertions
- Spinals
- Shunts
- Total Hip Revisions
- Lung Biopsies
- Endoscopy
- Lower Limb Procedures
- Laparoscopy
- Arterial Imaging
- Pain Management



Rugged One Touch Pendant Control, Greater Range of Articulation

The 6002 Series Table is equipped with a virtually indestructible *One Touch Pendant Control*, providing an impressive range of articulating table functions. Patients can be positioned in a *greater range of flexible orientations* to best suit surgical needs,



6002 Series Patient Positioning Guidelines



Upper Body Imaging* Accessories: “L” Type Anesthesia Screen, Standard Armboard and 2” Pad, Snap Strap, 10” Foot Extension and 2” Pad.



Lower Body Imaging* Accessories: Multi-Task Armboard with Pad, Snap Strap, 10” Foot Extension and 2” Pad.



Lap Nissen Accessories: Multi-Task Armboard with Pad, Nissen Strap, Levitator Stirrups.

* C-Arm courtesy of OEC Medical Systems, Inc.



Ureteroscopy/Cysto* Accessories: Multi-Task Armboard with Pad, Levitator Stirrups, Uro Catcher, Uro Catcher Pouch.



90° BACK UP



40° BACK DOWN



30°
TRENDELENBURG



30° REVERSE
TRENDELENBURG



30° LATERAL
TILT-RIGHT



30° LATERAL
TILT-LEFT

6002 Series Patient Positioning Guidelines



OB/GYN Accessories: Raised Armboard, Ankl-Lock Stirrups, 10" Foot Extension.



Ophthalmic/ENT Accessories: Standard Armboard and 2" Sof-Pad, 10" Foot Extension and 2" Pad.



Thoracic/Kidney Accessories: Standard Armboard and 2" Pad, Multi-Task Armboard with Pad, Snap Strap, Universal Patient Positioners, 10" Foot Extension and 2" Pad.



Neurosurgery Accessories: Multi Task Armboard with Pad, Snap Strap, 10" Foot Extension and 2" Pad.



45" MAXIMUM
TABLE HEIGHT



28" MINIMUM
TABLE HEIGHT



90° REFLEX



40° FLEX



LEG UP
TO HORIZONTAL



105°
LEG DOWN



Shoulder Accessories: Shoulder Arthroscopy Positioner, Lateral Brace, Multi-Task Armboard with Pad, Restraint Strap, 10" Foot Extension and 2" Pad.



Hip Accessories: Multi-Task Armboard with Pad, Standard Armboard and 2" Pad, Restraint Strap, Universal Patient Positioner.



Lumbar* Accessories: Multi-Task Armboard with Pad, Safety Strap.

* C-Arm courtesy of OEC Medical Systems, Inc.



Vascular/Orthopedic Accessories: Multi-Task Armboard with Pad, Universal Split Leg with 2" Pad (pr.).



90° BACK UP



40° BACK DOWN



30° TRENDLENBURG



30° REVERSE TRENDLENBURG

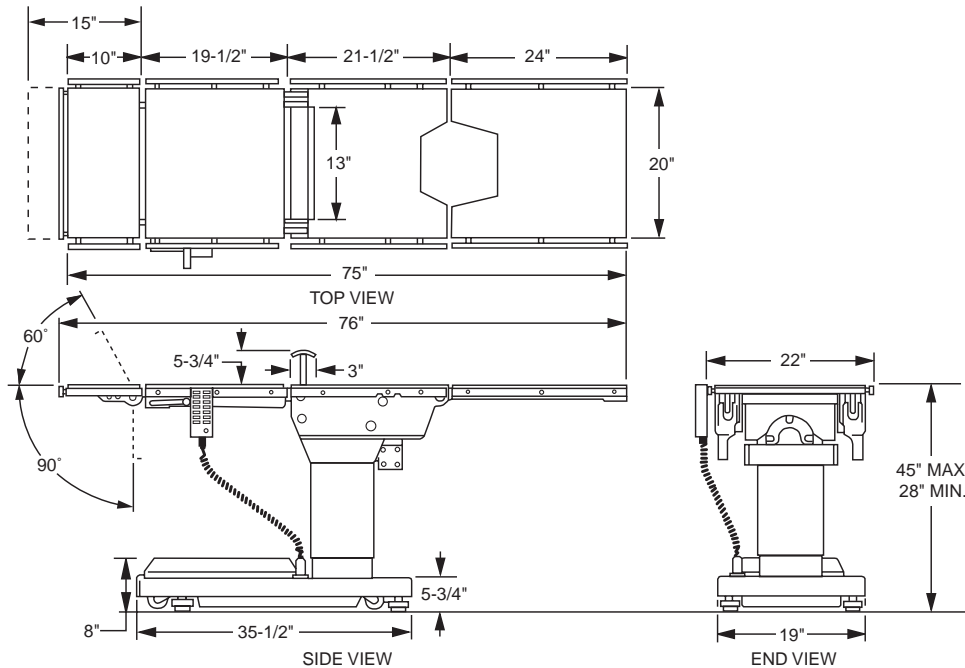


30° LATERAL TILT-RIGHT



30° LATERAL TILT-LEFT

6002 Series General Purpose Surgical Table Specifications.



Specifications

Electrohydraulic operating room table shall operate at 120V, 60HZ, 1 phase and be protected by (2) internal 10 amp fuses. A 15 foot power cord with hospital grade plug shall be provided. Conductive casters shall allow side movement for ease of operation and cleaning. Unit is to be equipped with standardized side rails and a four-point, push button operated braking system with manual override for safety and stability. A pendant-type control unit shall be operable from any point around the entire perimeter of the table. Entire table top shall be radiolucent to provide image intensification capability. Positioning capabilities to include: lateral tilt of 30°; Trendelenburg and reverse Trendelenburg of 30°; kidney bridge elevation of 5-3/4"; back up of 90°; back down of 40°; height adjustment range of 28"-45"; leg section down 105°; top rotation of 180°. Unit is also provided with flex and reflex function control buttons. [In addition to the above characteristics, the unit is to include a rechargeable built-in battery system for use in normal or emergency operation. Battery unit is to be 6002B.] [A return-to-level feature returns back, leg, tilt and Trendelenburg functions to level in an anatomically correct manner.] Table is to be Skytron Model 6002 or 6002B.

Warranty

- Standard warranty covers parts and labor for two (2) full years.

Installation/Maintenance

- Installation supervision is provided with the purchase of equipment. Preventive maintenance and service are available by SKYTRON trained personnel.
- Operators, Maintenance and Parts manuals are available with table at no charge.

In-Service Training

- On-site surgical staff training is provided by SKYTRON's local representative.

Electrical Specifications

Power requirements	120 VAC, 60HZ 300 Watts
Current Leakage	Less than 100 micro amps
Power Cord	15 feet w/hospital grade connector (removable on battery model)



5000 36th Street SE, Grand Rapids, MI 49512
1-800-SKYTRON (759-8766) Fax: 616-957-5053
E-mail: sales@skytronsurgical.com

Local Representative