

Skytron Imaging Tables



*The Imaging Table Choice
That's Always Right for You!*

Imaging Tables Built to Skytron Quality Engineering & Design Standards

Skytron's Impulse 3002 Imaging Table is built with the same high quality, precision design and durability standards as our Skytron surgical tables. Impulse 3002 is equipped with an 83" image-friendly, extended carbon fiber top offering 2 Speed, Multi-directional Top Slide for optimal Full Body Imaging Coverage.



- 2 Speed, Multi-directional Carbon Fiber Top
- 500 lb. Weight Capacity
- Narrow Table Base Profile for Ease of Patient Access
- Automatic 4 point, Self Leveling Brakes for Optimal Stability
- Durable Back-lit, One Touch Pendant Control & Multi-directional Joy Stick Controller
- Each Controller is Operable from Any Position Around the Table's Periphery

The Imaging Table Choice That's Always Right for You!

Skytron Imaging Tables are ideally suited for a wide variety of Specialty Imaging Applications, based upon clinical demands and preferences.



Impulse 3002 Imaging Table (2 Speed, Multi-directional Top Slide)

Applications include:

*Vascular • Angiography • Intraoperative Angioplasty • Abdominal Aortic Aneurysms
Mid CAB and Mini CABG Procedures • Cardiac Cath Lab • Endoluminal Stent-Grafting
Non-traction Orthopedic Procedures*



3000 Imaging Table

Applications include:

*Pace Maker Insertions • Pain Management • Facet Injections • Lysis Injections
Nerve Blocks • Rhizotomy Procedures • Discography • Non-traction Orthopedic Procedures*

Impulse 3002 Imaging Table with 2 Speed, Multi-directional Top Slide

Impulse 3002 provides expanded patient positioning options with power assisted 2 Speed, Multi-directional Top Slide, eliminating any need to move the C-arm.



Joy Stick Controller

- 83" Carbon Fiber Imaging Surface
- 8" Lateral Slide, 20" Longitudinal Slide
- Unobstructed Fluoroscopic Imaging Area of 65"
- 500 lb. Capacity
- Sterile Controlled, Multi-directional Joy Stick with Reverse Mode and High/Low Speed Buttons



42" Max
Table Height



28" Min
Table Height



20°
Trendelenburg



20° Reverse
Trendelenburg



20" Longitudinal
Top Slide



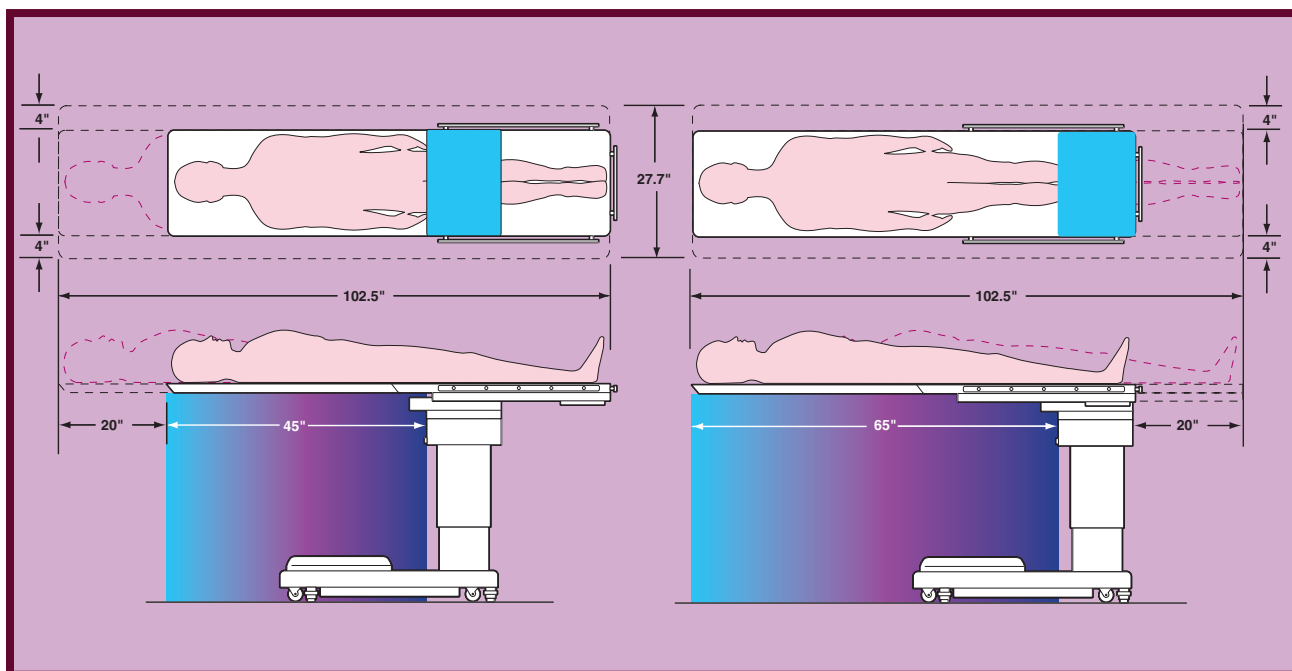
8" Lateral
Top Slide



20° Lateral Tilt
Right & Left

Impulse 3002 Supports Advanced Cardio & Endo Vascular Procedures

Impulse 3002 provides optimal performance for the advanced support of Cardio-Endo Vascular cases including Endoluminal-Stent Grafting, Intraoperative Angioplasty and Coronary Angiography, without having to manipulate or reposition the C-arm during procedures.



Imaging Area:

20" Longitudinal and 8" Lateral movement, providing an expanded and mobile imaging window of 27.7" X 65", along with physician controlled, 2 speed, multi-directional top slide.

Impulse 3002 Table Specifications

Warranty

Standard warranty covers parts and labor for two full years.

Installation/Maintenance

Installation supervision is provided. Preventive maintenance and service are available.

In-Service Training

On-site surgical staff training is provided by your local Skytron representative.

Electrical Specifications

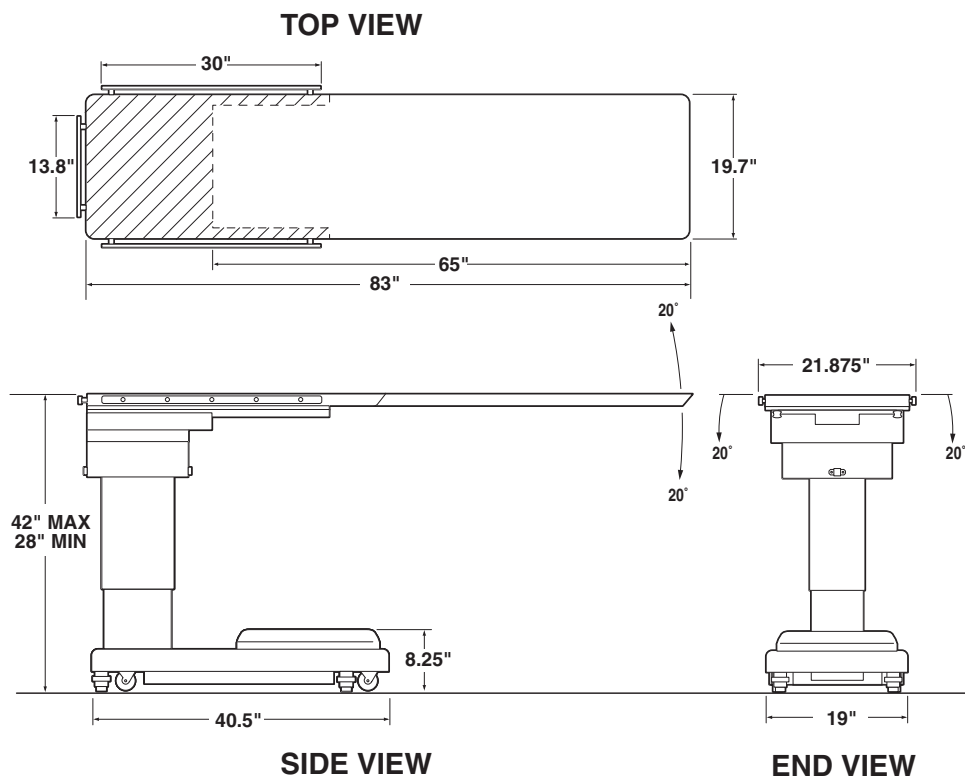
Power requirements: 120V, 60Hz, 1 phase

Current leakage: Less than 100 micro amps

Power cord: Removable 15 feet cord with standard hospital grade connector.

Specifications

Specialty Imaging Table is electro-hydraulic in operation and shall be capable of lifting and fully articulating patients weighing up to 500 lbs. The unit shall operate at 120V, 60Hz, 1 phase and be protected by a 15 amp circuit breaker. The unit shall be equipped with a four point, self leveling brake system to assure stability and safety. A manual emergency brake release system shall be provided to allow moving the table in the event of a power loss. A single touch pendant control and multi-directional joystick are to be connected to the table by a coiled cord which shall permit 2 speed, multi-directional top slide and functional operation from any point around the periphery of the table. Positioning capabilities include: lateral tilt of 20°, Trendelenburg and reverse Trendelenburg of 20°, longitudinal top slide of 20", lateral top slide of 8", height adjustment of 28" to 42". Unit to be Skytron Model Impulse 3002 Imaging Table.



3000 Imaging Table with 83” Extended Carbon Fiber Top

The 3000 Imaging Table with 83” Extended Carbon Fiber Top and 500 lb. weight capacity is ideally suited for pain management, vascular and angiography procedures, while providing an unobstructed imaging window of 27.7” X 65”.



- Extended Carbon Fiber Top for Optimal Imaging Capability
- Unobstructed Fluoroscopic Imaging Area of 27.7” X 65”
- 500 lb. Capacity
- Durable Back-Lit, One Touch Pendant Control
- Ideally Suited for Pain Management and Other Applications



39” Max
Table Height



29” Min
Table Height



20° Trendelenburg



20° Reverse
Trendelenburg



20° Lateral Tilt
Right & Left

3000 Imaging Table Specifications

Warranty

Standard warranty covers parts and labor for two full years.

Installation/Maintenance

Installation supervision is provided. Preventive maintenance and service are available.

In-Service Training

On-site surgical staff training is provided by your local Skytron representative.

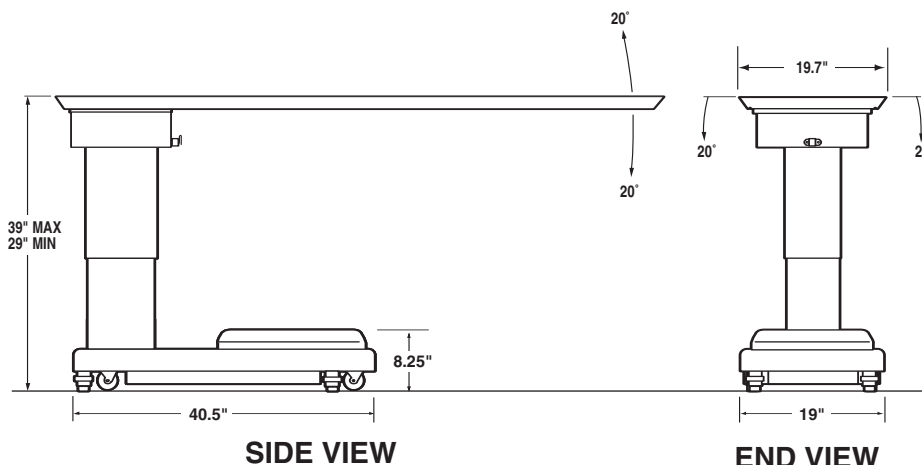
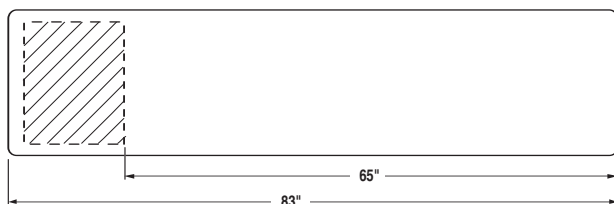
Electrical Specifications

Power requirements: 120V, 60Hz, 1 phase
Current leakage: Less than 100 micro amps
Power cord: 15 feet with standard hospital grade connector.

Specifications

Specialty Imaging Table is electro-hydraulic in operation and shall be capable of lifting and articulating patients weighing up to 500 lbs. The unit shall operate at 120 V, 60Hz, 1 phase and be protected by a 10 amp circuit breaker. The unit shall be equipped with a four point, self leveling brake system to assure stability and safety. A manual emergency brake release system shall be provided to allow moving the table in the event of a power loss. A single touch pendant control is to be connected to the table by a coiled cord which shall permit operation from any point around the periphery of the table. Positioning capabilities include: lateral tilt of 20°, Trendelenburg and reverse Trendelenburg of 20°, height adjustment of 29" to 39". Unit to be Skytron Model 3000 Imaging Table.

TOP VIEW



B-E Hospital Equipment Company - 1917 Rutger Street - St. Louis, MO 63104
PHONE 1-314.241.0855 FAX 1.314.241.1932
EMAIL sales@behospital.com

Local Representative